

JADE PRECAST



BUILDING FUTURE INFRASTRUCTURE TODAY

Delivering quality precast concrete products is our foremost priority.

Jade Precast can manufacture any precast concrete product according to customer specifications while meeting the highest SABS quality standards.

JADE PRECAST IS A LEVEL 3 B-BBEE CONTRIBUTOR

STORMWATER INTERLOCKING JOINT PIPES

SABS SPECIFICATION SANS 677



PIPE CLASS 50D								
ND	ID	OD	T	L			S	
Nominal Diameter	Inside Diameter	Outside Diameter	Wall Thickness	Nominal Length	Mass per pipe	Mass per metre	Inside Socket	Proof Load
mm	mm	mm	mm	m	kg/pipe	kg/m	mm	kN/m
300	292	362	35	2.44	226	93	16	15.0
375	369	445	38	2.44	306	125	16	18.8
450	445	533	44	2.44	426	174	20	2.5
525	534	616	41	2.44	466	191	20	26.3
600	611	699	44	2.44	570	234	15	30.0
675	685	787	51	2.44	742	304	17	33.8
750	762	870	54	2.44	871	357	18	37.5
825	830	946	58	2.44	1019	417	18	41.3
900	903	1029	63	2.44	1204	493	18	45.0
1050	1034	1194	80	2.44	1763	722	22	52.5
1200	1181	1359	89	2.44	2235	916	22	60.0
1350	1328	1524	98	2.44	2764	1133	25	67.5
1500	1461	1689	114	2.44	3551	1455	25	75.0
1650	1608	1854	123	2.44	4211	1726	25	82.5
1800	1755	2019	132	2.44	4926	2019	30	90.0
1950	1898	2184	143	2.44	5772	2366	30	97.5

Please note: Mass per metre is an approximation only. Jade Precast cannot guarantee the exact mass as listed on this table



PIPE CLASS 75D								
ND	ID	OD	T	L	S			
Nominal Diameter	Inside Diameter	Outside Diameter	Wall Thickness	Nominal Length	Mass per pipe	Mass per metre	Inside Socket	Proof Load
mm	mm	mm	mm	m	kg/pipe	kg/m	mm	kN/m
300	292	362	35	2.44	226	93	16	22.5
375	369	445	38	2.44	306	125	16	28.1
450	445	533	44	2.44	426	174	20	33.8
525	514	616	51	2.44	570	234	20	39.4
600	585	699	57	2.44	724	297	15	45.0
675	647	787	70	2.44	993	407	17	50.6
750	718	870	76	2.44	1193	489	18	56.3
825	788	946	79	2.44	1355	555	18	61.9
900	853	1029	88	2.44	1638	671	18	67.5
1050	986	1194	104	2.44	2242	919	22	78.8
1200	1151	1359	104	2.44	2581	1058	22	90.0
1350	1292	1524	116	2.44	3230	1324	25	101.3
1500	1419	1689	135	2.44	4149	1700	25	112.5
1650	1566	1854	144	2.44	4870	1996	25	123.8
1800	1707	2019	156	2.44	5748	2356	30	135.0
1950	1846	2184	169	2.44	6735	2760	30	146.3

PIPE CLASS 100D								
ND	ID	OD	T	L	S			
Nominal Diameter	Inside Diameter	Outside Diameter	Wall Thickness	Nominal Length	Mass per pipe	Mass per metre	Inside Socket	Proof Load
mm	mm	mm	mm	m	kg/pipe	kg/m	mm	kN/m
150	153	197	22	1.83	57	31	10	15.0
225	229	279	25	1.83	94	51	10	22.5
300	292	362	35	2.44	226	93	16	30.0
375	369	445	38	2.44	306	125	16	37.5
450	445	533	44	2.44	426	174	20	45.0
525	514	616	51	2.44	570	234	20	52.5
600	585	699	57	2.44	724	297	15	60.0
675	647	787	70	2.44	993	407	17	67.5
750	718	870	76	2.44	1193	489	18	75.0
825	788	946	79	2.44	1355	555	18	82.5
900	853	1029	88	2.44	1638	671	18	90.0
1050	986	1194	104	2.44	2242	919	22	105.0
1200	1127	1359	116	2.44	2852	1169	22	12.0
1350	1262	1524	131	2.44	3609	1479	25	135.0
1500	1383	1689	153	2.44	4648	1905	25	150.0
1650	1524	1854	165	2.44	5512	2259	25	165.0
1800	1665	2019	177	2.44	6448	2643	30	180.0
1950	1800	2184	192	2.44	7564	3100	30	195.0



MANHOLES, CHAMBERS, SHAFT SECTIONS & SLABS

SABS SPECIFICATION SANS 1294

Pipe Strength	Nominal Diameter	Inside Diameter	Outside Diameter	Wall Thickness	Nominal Length	Approx. Mass	Inside Socket	Proof Load
kN/m	mm	mm	mm	mm	m	kg/unit	mm	kN/m
15	750	750	860	55	250	90	18	15.0
		750	860	55	500	180	18	18.8
		750	860	55	1000	359	18	2.5
	1000	1000	1130	65	250	140	19	15.0
		1000	1130	65	500	281	19	15.0
		1000	1130	65	1000	561	19	15.0
	1250	1250	1400	75	250	202	22	15.0
		1250	1400	75	500	403	22	15.0
		1250	1400	75	1000	806	22	15.0
	1500	1523	1689	83	250	270	25	15.0
		1523	1689	83	500	540	25	15.0
		1523	1689	83	1000	1080	25	15.0
	1800	1829	2019	95	250	371	30	15.0
		1829	2019	95	500	741	30	15.0
		1829	2019	95	1000	1482	30	15.0
	1950	1980	2184	102	1000	1960	32	15.0

REDUCER SLABS	Reduce To	Thickness (mm)	Mass (kg)	COVER SLAB	Reduce To	Thickness (mm)	Mass (kg)
1000	750	150	204	1000	560	150	242
1250	750	150	408	1250	560	150	476
1500	750	175	793	1500	560	175	871
1800	750	175	1218	1800	560	175	1296
1950	750	195	1662	1950	560	195	1885

ADAPTOR SLABS	Mass (kg)	
Round	750mm with 560 hole 150 THK	113
4A	860 OD with 560 hole 150 THK	84
Square	900mm with 560 hole 150 THK	146

SPACER SLABS	Mass (kg)	
Round Spacer	750mm with 560 hole 150 THK	51
	900 SQ with 560 hole 75 THK	108

CONCRETE LID	Mass (kg)	
560 DIA	Heavy Duty	95
560 DIA	Medium Duty	95

Jade Precast can manufacture any precast concrete product according to customer specifications.

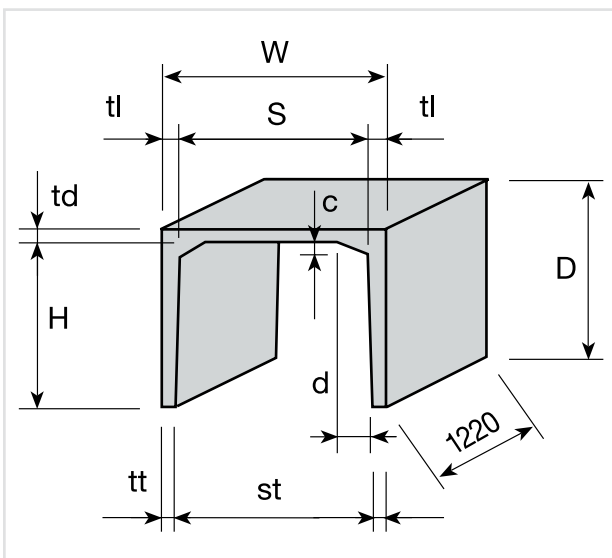
Please note: Mass per metre is an approximation only. Jade Precast cannot guarantee the exact mass as listed on this table



RECTANGULAR PORTALS

ROAD APPLICATION STORMWATER CULVERT

SABS SPECIFICATION SANS 986



Span mm	Class				
	75S	100S	150S	175S	200S
450					X
600					X
750				X	
900				X	
1200			X		
1500		X			
1800	X				
2100	X				
2400	X				
3000	X				
3600	X				
4000	X				

Jade Precast can manufacture any precast concrete product according to customer specifications.

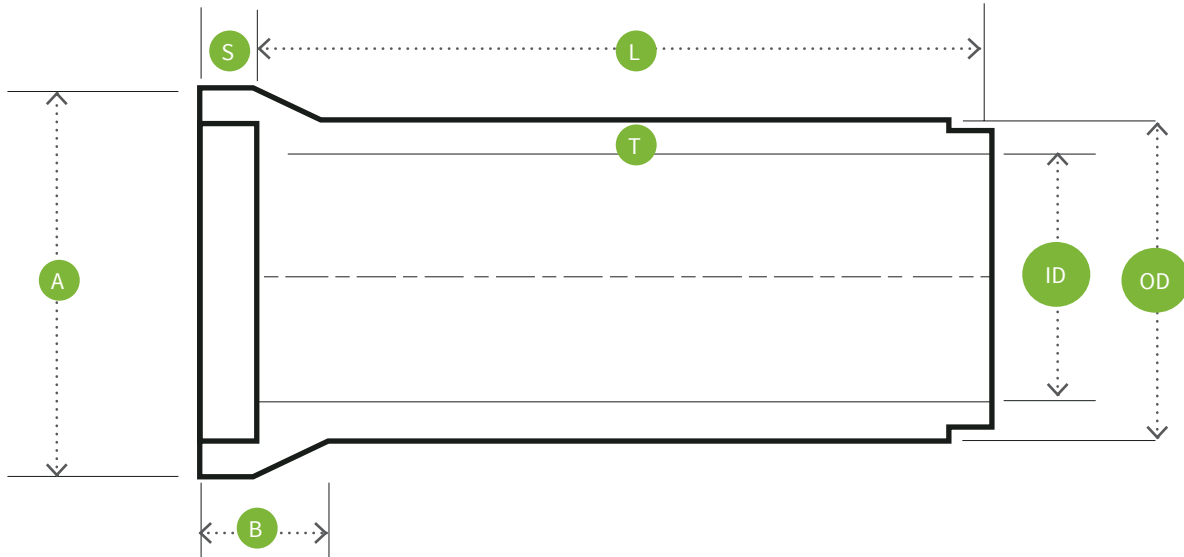
Please note: Mass per metre is an approximation only. Jade Precast cannot guarantee the exact mass as listed on this table



Nominal Size		Dimensions							Approx. Mass		Waterway
S x H	W	D	St	td	tl	tt	c	d	per m	per unit	area
mm	mm	mm	mm	mm	mm	mm	mm	mm	kg/m	kg/unit	m ²
450 x 300	600	390	470	90	75	65	37	75	255	311	0.13
450 x 375	600	465	475	90	75	63	37	75	280	342	0.17
450 x 450	600	540	480	90	75	60	37	75	303	370	0.20
600 x 300	760	390	620	90	80	70	50	100	305	373	0.18
600 x 450	760	540	630	90	80	65	50	100	358	436	0.27
600 x 600	760	690	640	90	80	60	50	100	406	495	0.36
750 x 300	920	390	770	90	85	75	50	100	350	427	0.22
750 x 450	920	540	780	90	85	70	50	100	406	496	0.34
750 x 600	920	690	790	90	85	65	50	100	459	560	0.45
750 x 750	920	840	800	90	85	60	50	100	507	619	0.57
900 x 300	1100	400	920	100	100	90	50	100	444	541	0.26
900 x 450	1100	550	930	100	100	85	50	100	511	624	0.40
900 x 600	1100	700	940	100	100	80	50	100	575	702	0.54
900 x 750	1100	850	950	100	100	75	50	100	635	775	0.68
900 x 900	1100	1000	960	100	100	70	50	100	691	844	0.83
1200 x 300	1440	420	1220	120	120	110	50	100	637	777	0.35
1200 x 450	1440	570	1230	120	120	105	50	100	720	878	0.53
1200 x 600	1440	720	1240	120	120	100	50	100	799	975	0.72
1200 x 900	1440	1020	1260	120	120	90	50	100	946	1155	1.09
1200 x 1200	1440	1320	1280	120	120	80	50	100	1078	1315	1.47
1500 x 300	1750	425	1520	125	125	115	75	225	794	968	0.44
1500 x 450	1750	575	1530	125	125	110	75	225	881	1075	0.67
1500 x 600	1750	725	1540	125	125	105	75	225	964	1176	0.90
1500 x 900	1750	1025	1560	125	125	95	75	225	1119	1365	1.36
1500 x 1200	1750	1325	1580	125	125	85	75	225	1258	1535	1.83
1500 x 1500	1750	1625	1600	125	125	75	75	225	1382	1686	2.31
1800 x 600	2100	750	1840	150	150	130	100	300	1324	1615	1.08
1800 x 900	2100	1050	1860	150	150	120	100	300	1517	1851	1.63
1800 x 1200	2100	1350	1880	150	150	110	100	300	1695	2068	2.19
1800 x 1500	2100	1650	1900	150	150	100	100	300	1858	2266	2.76
1800 x 1800	2100	1950	1920	150	150	90	100	300	2005	2446	3.33
2100 x 600	2400	750	2140	150	150	130	100	300	1440	1756	1.26
2100 x 900	2400	1050	2160	150	150	120	100	300	1633	1992	1.88
2100 x 1200	2400	1350	2180	150	150	110	100	300	1811	2210	2.55
2100 x 1500	2400	1650	2200	150	150	100	100	300	1974	2408	3.21
2100 x 1800	2400	1950	2220	150	150	90	100	300	2121	2587	3.81
2100 x 2100	2400	2250	2240	150	150	80	100	300	2252	2748	4.54
2400 x 600	2720	760	2440	160	160	140	100	300	1665	2031	1.44
2400 x 900	2720	1060	2460	160	160	130	100	300	1874	2293	2.17
2400 x 1200	2720	1360	2480	160	160	120	100	300	2067	2533	2.91
2400 x 1500	2720	1660	2500	160	160	110	100	300	2245	2752	3.66
2400 x 1800	2720	1960	2520	160	160	100	100	300	2408	2954	4.41
2400 x 2100	2720	2260	2540	160	160	90	100	300	2578	3145	5.19
2400 x 2400	2720	2560	2560	160	160	80	100	300	2686	3277	5.94
3000 x 600	3480	790	3040	190	230	210	150	300	2454	2994	1.76
3000 x 900	3480	1090	3060	190	230	200	150	300	2771	3381	2.68
3000 x 1200	3480	1390	3080	190	230	190	150	300	3184	3885	3.60
3000 x 1500	3480	1690	3100	190	230	180	150	300	3360	4099	4.53
3000 x 1800	3480	1990	3120	190	230	170	150	300	3631	4430	5.46
3000 x 2100	3480	2290	3140	190	230	170	150	300	3886	4741	6.40
3000 x 2400	3480	2590	3160	190	230	150	150	300	4126	5034	7.34
3000 x 3000	3480	3190	3200	190	230	130	150	300	4599	5562	9.25
3600 x 600	4060	850	3640	250	230	210	150	300	3416	4167	2.12
3600 x 900	4060	1150	3660	250	230	200	150	300	3733	4555	3.22
3600 x 1200	4060	1450	3680	250	230	190	150	300	4035	4923	4.32
3600 x 1500	4060	1750	3700	250	230	180	150	300	4322	5272	5.43
3600 x 1800	4060	2050	3720	250	230	170	150	300	4592	5603	6.54
3600 x 2100	4060	2350	3740	250	230	160	150	300	4848	5914	7.66
3600 x 2400	4060	2650	3760	250	230	150	150	300	5088	6207	8.78
3600 x 3000	4060	3250	3800	250	230	130	150	300	5521	6736	11.05
4000 x 1500	4500	1750	4100	250	250	200	300	600	5108	6232	5.89
4000 x 3000	4500	3250	4200	250	250	150	300	600	6463	7884	12.12

STORMWATER OR SEWER SPIGOT AND SOCKET JOINT PIPES

SABS SPECIFICATION SANS 677



PIPE CLASS 50D

ND	ID	OD	T	L	A	B	S			
Nominal Diameter	Inside Diameter	Outside Diameter	Wall Thickness	Nominal Length	Outside Diameter	Outside Socket	Mass per pipe	Mass per metre	Inside Socket	Proof Load
mm	mm	mm	mm	m	mm	mm	kg/pipe	kg/m	mm	kN/m
300	298	368	35	2.44	464	225	258	106	114	15
375	369	445	38	2.44	540	235	340	140	127	19
450	445	533	44	2.44	641	260	476	195	127	23
525	534	616	41	2.44	730	265	527	216	121	26
600	611	699	44	2.44	825	300	658	270	139	30
675	685	787	51	2.44	920	315	850	348	139	34
750	762	870	54	2.44	1016	330	1007	413	139	38
825	830	946	58	2.44	1086	330	1156	474	139	41
900	913	1041	64	2.44	1194	360	1417	581	139	45
1050	1034	1194	80	2.44	1353	390	1998	819	162	53
1200	1187	1365	89	2.44	1543	425	2568	1052	168	60
1350	1328	1524	98	2.44	1708	445	3149	1291	175	68
1500	1461	1689	114	2.44	1886	490	4056	1662	190	75
1650	1640	1878	119	2.44	2088	510	4744	1944	190	83
1800	1755	2019	132	2.44	2250	525	5646	2314	190	90

Jade Precast can manufacture any precast concrete product according to customer specifications.

Please note: Mass per metre is an approximation only. Jade Precast cannot guarantee the exact mass as listed on this table

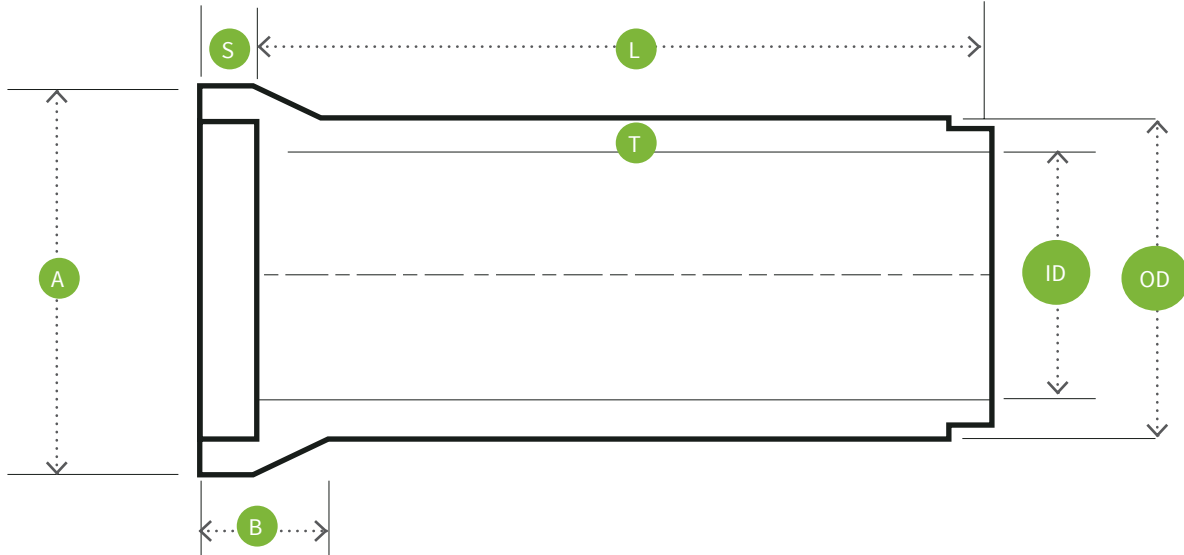


PIPE CLASS 75D										
ND	ID	OD	T	L	A	B	S			
Nominal Diameter	Inside Diameter	Outside Diameter	Wall Thickness	Nominal Length	Outside Diameter	Outside Socket	Mass per pipe	Mass per metre	Inside Socket	Proof Load
mm	mm	mm	mm	m	mm	mm	kg/pipe	kg/m	mm	kN/m
300	298	368	35	2.44	464	225	258	106	114	23
375	300	445	38	2.44	540	235	340	140	127	28
450	445	533	44	2.44	641	260	476	195	127	34
525	514	616	51	2.44	730	265	631	259	121	39
600	585	699	57	2.44	825	300	812	333	139	45
675	659	787	64	2.44	920	315	1023	419	139	51
750	730	870	70	2.44	1016	330	1243	509	139	56
825	788	946	79	2.44	1086	330	1492	612	139	62
900	869	1041	86	2.44	1194	360	1805	740	139	68
1050	986	1194	104	2.44	1353	390	2478	1015	162	79
1200	1157	1365	104	2.44	1543	425	2915	1195	168	90
1350	1292	1524	116	2.44	1708	445	3616	1482	175	101
1500	1419	1689	135	2.44	1886	490	4654	1907	190	113
1650	1600	1878	139	2.44	2088	510	5385	2207	190	124
1800	1707	2019	156	2.44	2250	525	6468	2651	190	135

PIPE CLASS 100D										
ND	ID	OD	T	L	A	B	S			
Nominal Diameter	Inside Diameter	Outside Diameter	Wall Thickness	Nominal Length	Outside Diameter	Outside Socket	Mass per pipe	Mass per metre	Inside Socket	Proof Load
mm	mm	mm	mm	m	mm	mm	kg/pipe	kg/m	mm	kN/m
150	150	210	30	1.83	305	200	90	49	103	15
225	230	290	30	1.83	390	200	131	71	103	23
300	298	368	35	2.44	464	225	258	106	114	30
375	369	445	38	2.44	540	235	340	140	127	38
450	445	533	44	2.44	641	260	476	195	127	45
525	514	616	51	2.44	730	265	631	259	121	53
600	585	699	57	2.44	825	300	812	333	139	60
675	659	787	64	2.44	920	315	1023	419	139	68
750	730	870	70	2.44	1016	330	1243	509	139	75
825	788	946	79	2.44	1086	330	1492	612	139	83
900	869	1041	86	2.44	1194	360	1805	740	139	90
1050	986	1194	104	2.44	1353	390	2478	1015	162	105
1200	1127	1365	119	2.44	1543	425	3254	1334	168	120
1350	1262	1524	131	2.44	1708	445	3995	1637	175	135
1500	1383	1689	153	2.44	1886	490	5153	2112	190	150
1650	1548	1878	165	2.44	2088	510	6926	2839	190	165
1800	1665	2019	177	2.44	2250	525	7168	2938	190	180

SEWER WITH SACRIFICIAL LAYERS SPIGOT AND SOCKET JOINT PIPES

SABS SPECIFICATION SANS 677



PIPE CLASS 50D

ND	ID	OD	T	L	A	B	S			
Nominal Diameter	Inside Diameter	Outside Diameter	Wall Thickness	Nominal Length	Outside Diameter	Outside Socket	Mass per pipe	Mass per metre	Inside Socket	Proof Load
mm	mm	mm	mm	m	mm	mm	kg/pipe	kg/m	mm	kN/m
300	272	368	48	2.44	464	225	331	136	114	15.0
375	343	445	51	2.44	540	235	432	177	127	18.8
450	419	533	57	2.44	641	260	587	240	127	22.5
525	508	616	54	2.44	730	265	661	271	121	26.3
600	585	699	57	2.44	825	300	812	333	139	30.0
675	659	787	64	2.44	920	315	1023	419	139	33.8
750	736	870	67	2.44	1016	330	1200	492	139	37.5
825	804	946	71	2.44	1086	330	1366	560	139	41.3
900	887	1041	77	2.44	1194	360	1648	676	139	45.0
1050	1008	1194	93	2.44	1353	390	2261	927	162	52.5
1200	1149	1365	108	2.44	1543	425	3007	1232	168	60.0
1350	1290	1524	117	2.44	1708	445	3641	1492	175	67.5
1500	1423	1689	133	2.44	1886	490	4598	1884	190	75.0
1650	1602	1878	138	2.44	2088	510	5353	2194	190	82.5
1800	1717	2019	151	2.44	2250	525	6299	2581	190	90.0

PIPE CLASS 75D										
ND	ID	OD	T	L	A	B	S			
Nominal Diameter	Inside Diameter	Outside Diameter	Wall Thickness	Nominal Length	Outside Diameter	Outside Socket	Mass per pipe	Mass per metre	Inside Socket	Proof Load
mm	mm	mm	mm	m	mm	mm	kg/pipe	kg/m	mm	kN/m
300	272	368	48	2.44	464	225	331	136	114	22.5
375	343	445	51	2.44	540	235	432	177	127	28.1
450	419	533	57	2.44	641	260	587	240	127	33.8
525	488	616	64	2.44	730	265	760	311	121	39.4
600	559	699	70	2.44	825	300	959	393	139	45.0
675	633	787	77	2.44	920	315	1189	487	139	50.6
750	704	870	83	2.44	1016	330	1427	585	139	56.3
825	762	946	92	2.44	1086	330	1691	693	139	61.9
900	843	1041	99	2.44	1194	360	2025	830	139	67.5
1050	960	1194	117	2.44	1353	390	2728	1118	162	78.8
1200	1119	1365	123	2.44	1543	425	3343	1370	168	90.0
1350	1254	1524	135	2.44	1708	445	4094	1678	175	101.3
1500	1381	1689	154	2.44	1886	490	5180	2123	190	112.5
1650	1562	1878	158	2.44	2088	510	5979	2450	190	123.8
1800	1669	2019	175	2.44	2250	525	7102	2911	190	135.0

PIPE CLASS 100D										
ND	ID	OD	T	L	A	B	S			
Nominal Diameter	Inside Diameter	Outside Diameter	Wall Thickness	Nominal Length	Outside Diameter	Outside Socket	Mass per pipe	Mass per metre	Inside Socket	Proof Load
mm	mm	mm	mm	m	mm	mm	kg/pipe	kg/m	mm	kN/m
300	272	368	48	2.44	464	225	331	136	114	30.0
375	343	445	51	2.44	540	235	432	177	127	37.5
450	419	533	57	2.44	641	260	587	240	127	45.0
525	488	616	64	2.44	730	265	760	311	121	52.5
600	559	699	70	2.44	825	300	959	393	139	60.0
675	621	787	77	2.44	920	315	1189	487	139	67.5
750	704	870	83	2.44	1016	330	1427	585	139	75.0
825	762	946	92	2.44	1086	330	1691	693	139	82.5
900	843	1041	99	2.44	1194	360	2025	830	139	90.0
1050	960	1194	117	2.44	1353	390	2728	1118	162	105.0
1200	1089	1365	138	2.44	1543	425	3671	1504	168	120.0
1350	1224	1524	150	2.44	1708	445	4462	1829	175	135.0
1500	1345	1689	172	2.44	1886	490	5665	2322	190	150.0
1650	1510	1878	184	2.44	2088	510	6769	3074	190	165.0
1800	1627	2019	196	2.44	2250	525	7787	3191	190	180.0

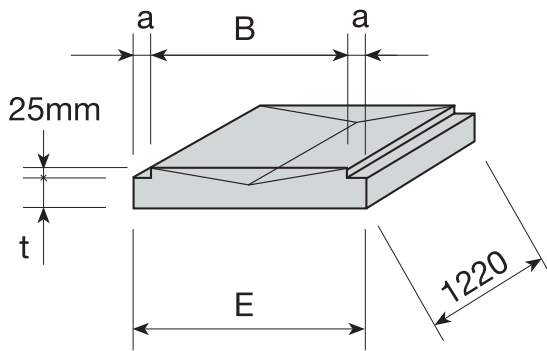
Jade Precast can manufacture any precast concrete product according to customer specifications.

Please note: Mass per metre is an approximation only. Jade Precast cannot guarantee the exact mass as listed on this table

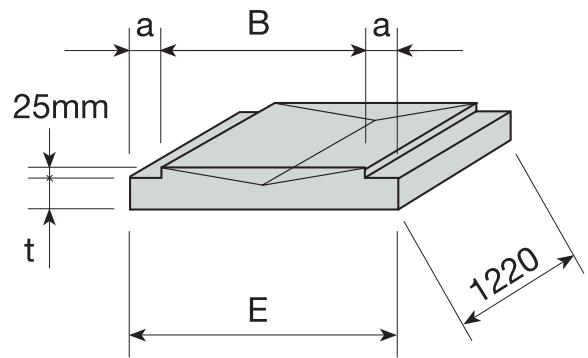


CULVERT BASE SLABS

SLABS FOR RECTANGULAR PORTAL CULVERT



SLABS FOR SATS RECTANGULAR PORTAL CULVERT



SLABS FOR RECTANGULAR PORTAL CULVERT

Culvert Span	Max. Leg Height	Dimensions				Approx. Mass	
S	H	E	t	a	B	Per Metre	Per Base
mm	mm	mm	mm	mm	mm	kg / m	kg / unit
450	450	640	65	95	450	136	166
600	600	800	85	95	610	215	262
750	750	960	100	100	760	297	362
900	900	1150	115	120	910	400	488
1200	1200	1480	130	135	1210	574	701
1500	1500	1800	140	140	1520	748	913
1800	1200	2150	150	165	1820	949	1158
1800	1800	2150	150	165	1880	953	1163
2100	1500	2470	160	165	2140	1158	1412
2100	2100	2470	160	135	2200	1162	1417
2400	1500	2770	170	165	2440	1372	1674
2400	2400	2770	10	135	2500	1376	1679
3000	1500	3510	190	245	3020	1915	2337
3000	3000	3510	190	235	3040	1917	2338
3600	3000	4150	200	265	3620	2375	2897

SLABS FOR SATS RECTANGULAR PORTAL CULVERT								
Culvert Span		Fill	Dimensions				Approx. Mass	
S	Z	E	t	a	B	Per Metre	Per Base	
mm	m	mm	mm	mm	mm	kg /m	kg/ unit	
750	0-5	1000	160	120	760	482	588	
750	5-10	1000	160	120	760	482	588	
900	0-5	1150	160	120	910	533	651	
900	5-10	1150	160	120	910	533	651	
1200	0-5	1500	160	140	1220	698	851	
1200	5-10	1500	180	140	1220	775	946	
1500	0-5	1900	180	175	1550	982	1198	
1500	5-10	1900	220	175	1550	1178	1438	
1800	0-5	2150	200	165	1820	1227	1497	
1800	5-10	2150	250	165	1820	1504	1835	
2000	0-5	2450	220	200	2050	1523	1858	
2000	5-10	2450	280	200	2050	1902	2321	
2400	0-5	2800	240	175	2450	1892	2308	
2400	5-10	2800	320	175	2450	2470	3013	
2500	0-5	3000	50	225	2550	2099	2561	
2500	5-10	3000	330	225	2550	2719	3317	
3000	0-5	3600	270	275	3050	2704	3299	
3000	5-10	3600	370	275	3050	3633	4433	

HALF ROUND CHANNELS

ID	Length	Mass
mm	m	kg
300	1.22	42
375	1.22	56
450	2.44	214
600	2.44	280

Jade Precast can manufacture any precast concrete product according to customer specifications.

Please note: Mass per metre is an approximation only. Jade Precast cannot guarantee the exact mass as listed on this table





CONTACT US

M +27 82 818 4276

M +27 79 882 0215

E sales@jadeprecast.co.za

E sales1@jadeprecast.co.za

Roodepoort Plot 744 LS, Polokwane, 0699

www.jadeprecast.co.za

JADE PRECAST IS A LEVEL 3
B-BBEE CONTRIBUTOR